

**EL PASO WATER
PURCHASING DEPARTMENT
1154 HAWKINS BLVD.
EL PASO, TEXAS 79925**

INSTALLATION OF ¾" PRESSURE REGULATORS

BID NUMBER 32-18

ADDENDUM NUMBER 1

March 29, 2018

Attention of all bidders is directed to the following addendum to this Bid Proposal:

- A. Correction to pages 2 through 14. Bid opening is April 4, 2018 at 10 a.m. Local time.
- B. Response(s) to Bidder's question(s):
- Question:
I was wanting to know if there is an estimated project value and an address for the location of the project?
Answer:
Engineer's Estimate is not required for non-construction projects.
See attached Appendix for locations.

Bidder shall acknowledge receipt of this addendum and submit this acknowledgment with their bid submittal. Failure to acknowledge addendum(s), may result in rejection of bid.



Christina Rivas
Procurement Analyst

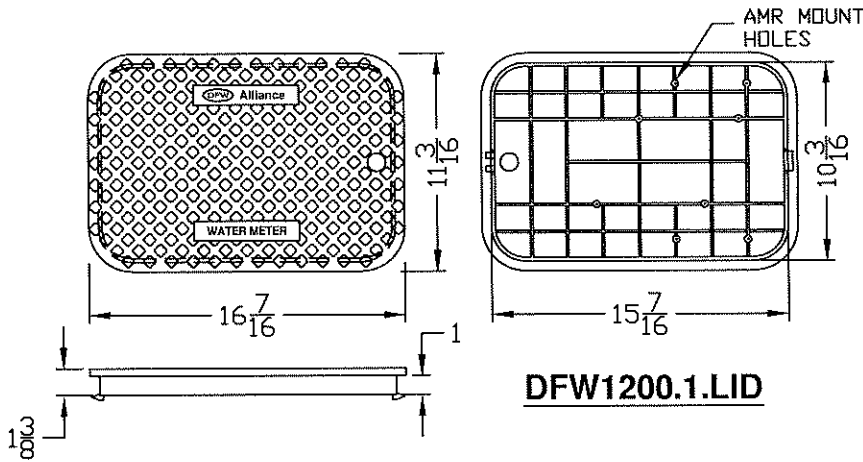
BIDDER'S ACKNOWLEDGEMENT OF RECEIPT



LChacon

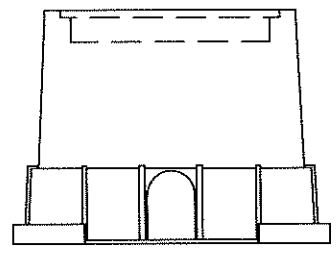
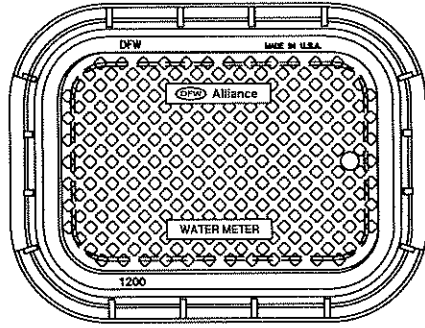
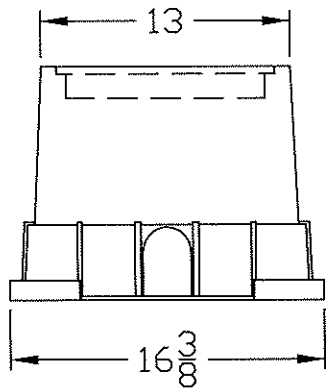
Appendix

Installation of 3/4" Pressure Regulators

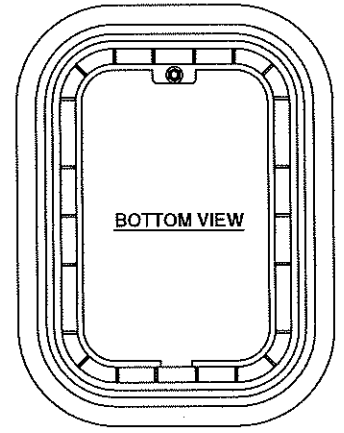
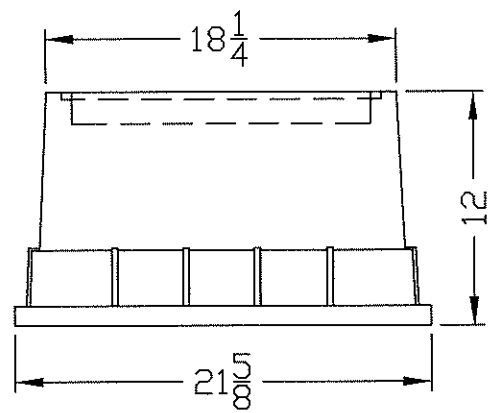
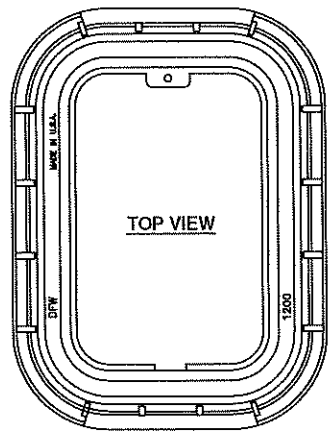


DFW1200.1.LID

LID KEY	
1	BLACK COLOR



DFW1200.12.1



DFW1200.12.BODY

NOTES

- 1) DIM'S ± 1/8" U.N.O.
- 2) LID MATERIAL: POLYPROPYLENE
- 3) BODY MATERIAL: POLYPROPYLENE
- 4) WALL THICKNESS: 1/8" ± 5%
- 5) I.W.A. = INSIDE WORK AREA

DFW PLASTICS, INC. ENGAGES IN ONGOING RESEARCH AND DEVELOPMENT TO IMPROVE AND ENHANCE ITS PRODUCTS. THEREFORE, DFW PLASTICS, INC. RESERVES THE RIGHT TO CHANGE PRODUCT OR SYSTEM SPECIFICATIONS WITHOUT NOTICE.



DFW PLASTICS, INC.
 PO BOX 648
 BEDFORD, TEXAS 76095
 (817) 439-3600
 (817) 439-3700 (f)
 www.dfwplasticsinc.com

Irrigation Box for Pressure Regulator Installation

DFW1200.12.1

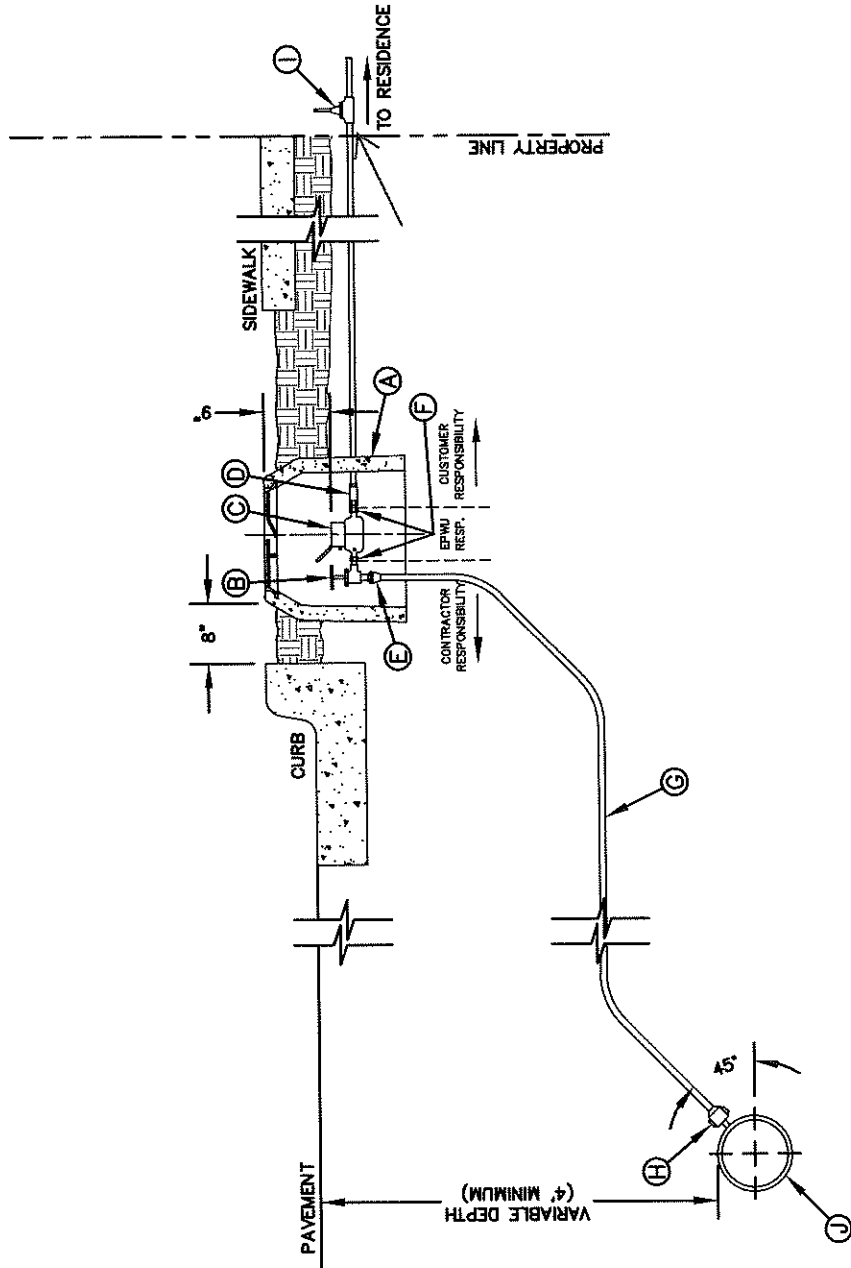
CREATED: 01/23/2012
UPDATED: 03/20/2014
ACCEPTED: JMc
DRAWN BY: RMc
PLOT SCALE: 1:10

GENERAL NOTES:

1. DETAIL SHOWN FOR A 3/4" SERVICE, 1" SERVICE INSTALLATION IS SIMILAR EXCEPT FOR SIZES OF PIPE, FITTING, METER AND BOX (TYPE "B").
2. WHERE NO CURB EXISTS, METER IS TO BE SET NEAR PROPERTY LINE OR AT DESIGNATED LOCATION.
3. THE CONTRACTOR SHALL FURNISH AND INSTALL ALL NECESSARY PIPE, FITTINGS, AND METER BOXES REQUIRED. IT SHALL BE THE RESPONSIBILITY OF THE PRIVATE OWNER TO HAVE A CERTIFIED PLUMBER INSTALL A BACKFLOW PREVENTER AND EXTEND SERVICE LINE ON DISCHARGE SIDE OF METER.
4. NO SPlicing SHALL BE ALLOWED. FULL LENGTH OF PIPING SERVICE SHALL BE INSTALLED.
5. THE EPWU WILL FURNISH AND INSTALL THE METER.

CONSTRUCTION KEY NOTES:

- A. METER BOX TYPE "A" (SEE DETAILS 291 & 292) SHALL BE SET SLIGHTLY HIGHER THAN SURROUNDING GROUND OR AT CURB LEVEL.
- B. 3/4" ANGLE SERVICE VALVE.
- C. WATER METER (CENTER INSIDE METER BOX).
- D. WHEN REQUIRED BY EPWU, A DUAL CHECK BACKFLOW PREVENTER SHALL BE INSTALLED ON THE OUTLET SIDE OF THE METER.
- E. END FLARE OF SERVICE LINE.
- F. INLET AND OUTLET COUPLING.
- G. 3/4" COPPER SERVICE LINE (SEE NOTE 4).
- H. 5/8" X 3/4" CORPORATION STOP
- I. PRESSURE REGULATOR SOMETIMES LOCATED NEAR THE RESIDENCE.
- J. WATER MAIN



SERVICE LINE 3/4" AND 1"
INSTALLATION BY CONTRACTOR

DATE: 10/20/2000
REV: 5/24/2007

STANDARD
DETAIL



N.T.S.

DETAIL No.
290-4



Round Rock Intermediate Pressure Zone. Area of pressure regulator installations.



<u>Street Number</u>	<u>Street</u>
4989	BALLINGER DR
4993	BALLINGER DR
4997	BALLINGER DR
5000	BALLINGER DR
5004	BALLINGER DR
5008	BALLINGER DR
5009	BALLINGER DR
5012	BALLINGER DR
5013	BALLINGER DR
5016	BALLINGER DR
5017	BALLINGER DR
5020	BALLINGER DR
5021	BALLINGER DR
5024	BALLINGER DR
5025	BALLINGER DR
5028	BALLINGER DR
5029	BALLINGER DR
5032	BALLINGER DR
5033	BALLINGER DR
5036	BALLINGER DR
5037	BALLINGER DR
5041	BALLINGER DR
10855	BLACK SANDS LN
10865	BLACK SANDS LN
10875	BLACK SANDS LN
10880	BLACK SANDS LN
10884	BLACK SANDS LN
10888	BLACK SANDS LN
10892	BLACK SANDS LN
4976	BLACK SANDS LN
4977	BLACK SANDS LN
4980	BLACK SANDS LN
4981	BLACK SANDS LN
4984	BLACK SANDS LN
4985	BLACK SANDS LN
4988	BLACK SANDS LN
4989	BLACK SANDS LN
4992	BLACK SANDS LN
4993	BLACK SANDS LN
10701	CAPTAIN VALTR ST
10704	CAPTAIN VALTR ST
10705	CAPTAIN VALTR ST
10708	CAPTAIN VALTR ST
10709	CAPTAIN VALTR ST
10712	CAPTAIN VALTR ST
10713	CAPTAIN VALTR ST

Street Number	Street
10716	CAPTAIN VALTR ST
10719	CAPTAIN VALTR ST
10720	CAPTAIN VALTR ST
10724	CAPTAIN VALTR ST
10727	CAPTAIN VALTR ST
10728	CAPTAIN VALTR ST
10731	CAPTAIN VALTR ST
10732	CAPTAIN VALTR ST
10735	CAPTAIN VALTR ST
10736	CAPTAIN VALTR ST
10740	CAPTAIN VALTR ST
10744	CAPTAIN VALTR ST
10748	CAPTAIN VALTR ST
5004	CEDAR SANDS DR
5008	CEDAR SANDS DR
5009	CEDAR SANDS DR
5012	CEDAR SANDS DR
5013	CEDAR SANDS DR
5016	CEDAR SANDS DR
5017	CEDAR SANDS DR
5020	CEDAR SANDS DR
5021	CEDAR SANDS DR
5024	CEDAR SANDS DR
5028	CEDAR SANDS DR
5032	CEDAR SANDS DR
5036	CEDAR SANDS DR
10680	CORAL SANDS DR
10684	CORAL SANDS DR
10688	CORAL SANDS DR
10691	CORAL SANDS DR
10692	CORAL SANDS DR
10695	CORAL SANDS DR
10696	CORAL SANDS DR
10699	CORAL SANDS DR
10700	CORAL SANDS DR
10703	CORAL SANDS DR
10704	CORAL SANDS DR
10707	CORAL SANDS DR
10708	CORAL SANDS DR
10711	CORAL SANDS DR
10712	CORAL SANDS DR
10715	CORAL SANDS DR
10716	CORAL SANDS DR
10719	CORAL SANDS DR
10720	CORAL SANDS DR
10723	CORAL SANDS DR

Street Number	Street
10724	CORAL SANDS DR
10727	CORAL SANDS DR
10728	CORAL SANDS DR
10731	CORAL SANDS DR
10732	CORAL SANDS DR
10735	CORAL SANDS DR
10736	CORAL SANDS DR
10739	CORAL SANDS DR
10740	CORAL SANDS DR
10743	CORAL SANDS DR
10744	CORAL SANDS DR
10747	CORAL SANDS DR
10748	CORAL SANDS DR
10751	CORAL SANDS DR
10752	CORAL SANDS DR
10800	CORAL SANDS DR
10801	CORAL SANDS DR
10804	CORAL SANDS DR
10805	CORAL SANDS DR
10809	CORAL SANDS DR
10813	CORAL SANDS DR
10817	CORAL SANDS DR
10821	CORAL SANDS DR
10824	CORAL SANDS DR
10825	CORAL SANDS DR
10828	CORAL SANDS DR
10829	CORAL SANDS DR
5054	CRYSTAL SANDS CT
5055	CRYSTAL SANDS CT
5058	CRYSTAL SANDS CT
5059	CRYSTAL SANDS CT
5062	CRYSTAL SANDS CT
10800	DESERT SANDS CT
10801	DESERT SANDS CT
10804	DESERT SANDS CT
10805	DESERT SANDS CT
10808	DESERT SANDS CT
10809	DESERT SANDS CT
10813	DESERT SANDS CT
10855	GOLDEN SANDS DR
10859	GOLDEN SANDS DR
10863	GOLDEN SANDS DR
10867	GOLDEN SANDS DR
10871	GOLDEN SANDS DR
10874	GOLDEN SANDS DR
10875	GOLDEN SANDS DR

<u>Street Number</u>	<u>Street</u>
10878	GOLDEN SANDS DR
10879	GOLDEN SANDS DR
10882	GOLDEN SANDS DR
10883	GOLDEN SANDS DR
10886	GOLDEN SANDS DR
10887	GOLDEN SANDS DR
10890	GOLDEN SANDS DR
10891	GOLDEN SANDS DR
10895	GOLDEN SANDS DR
10899	GOLDEN SANDS DR
10903	GOLDEN SANDS DR
10907	GOLDEN SANDS DR
4900	GRAPELAND DR
4901	GRAPELAND DR
4904	GRAPELAND DR
4905	GRAPELAND DR
4908	GRAPELAND DR
4909	GRAPELAND DR
4912	GRAPELAND DR
4913	GRAPELAND DR
4916	GRAPELAND DR
4917	GRAPELAND DR
4920	GRAPELAND DR
4921	GRAPELAND DR
4924	GRAPELAND DR
4925	GRAPELAND DR
4928	GRAPELAND DR
4929	GRAPELAND DR
4932	GRAPELAND DR
4933	GRAPELAND DR
4936	GRAPELAND DR
4937	GRAPELAND DR
4940	GRAPELAND DR
4941	GRAPELAND DR
4944	GRAPELAND DR
4945	GRAPELAND DR
4948	GRAPELAND DR
4949	GRAPELAND DR
4952	GRAPELAND DR
4956	GRAPELAND DR
4960	GRAPELAND DR
4963	GRAPELAND DR
4964	GRAPELAND DR
4967	GRAPELAND DR
4968	GRAPELAND DR
4971	GRAPELAND DR

Street Number	Street
4972	GRAPELAND DR
4975	GRAPELAND DR
10700	LEMONADE ST
10706	LEMONADE ST
10709	LEMONADE ST
10712	LEMONADE ST
10713	LEMONADE ST
10716	LEMONADE ST
10717	LEMONADE ST
10720	LEMONADE ST
10721	LEMONADE ST
10724	LEMONADE ST
10725	LEMONADE ST
10728	LEMONADE ST
10729	LEMONADE ST
10732	LEMONADE ST
10737	LEMONADE ST
10745	LEMONADE ST
10749	LEMONADE ST
10753	LEMONADE ST
10757	LEMONADE ST
10761	LEMONADE ST
10764	LEMONADE ST
10670	PEARL SANDS DR
10671	PEARL SANDS DR
10674	PEARL SANDS DR
10675	PEARL SANDS DR
10678	PEARL SANDS DR
10679	PEARL SANDS DR
10682	PEARL SANDS DR
10683	PEARL SANDS DR
10687	PEARL SANDS DR
10691	PEARL SANDS DR
10695	PEARL SANDS DR
10699	PEARL SANDS DR
10703	PEARL SANDS DR
10707	PEARL SANDS DR
10711	PEARL SANDS DR
10715	PEARL SANDS DR
10716	PEARL SANDS DR
10719	PEARL SANDS DR
10720	PEARL SANDS DR
10723	PEARL SANDS DR
10724	PEARL SANDS DR
10727	PEARL SANDS DR
10728	PEARL SANDS DR

<u>Street Number</u>	<u>Street</u>
10731	PEARL SANDS DR
10735	PEARL SANDS DR
10739	PEARL SANDS DR
10740	PEARL SANDS DR
10743	PEARL SANDS DR
10744	PEARL SANDS DR
10747	PEARL SANDS DR
10751	PEARL SANDS DR
10704	RAINDROP WAY
10705	RAINDROP WAY
10708	RAINDROP WAY
10709	RAINDROP WAY
10712	RAINDROP WAY
10713	RAINDROP WAY
10717	RAINDROP WAY
5050	RED SANDS DR
5051	RED SANDS DR
5054	RED SANDS DR
5055	RED SANDS DR
5058	RED SANDS DR
5059	RED SANDS DR
10800	REEF SANDS DR
10804	REEF SANDS DR
10808	REEF SANDS DR
10812	REEF SANDS DR
10816	REEF SANDS DR
10820	REEF SANDS DR
10821	REEF SANDS DR
10824	REEF SANDS DR
10825	REEF SANDS DR
10828	REEF SANDS DR
10829	REEF SANDS DR
10832	REEF SANDS DR
10833	REEF SANDS DR
10836	REEF SANDS DR
10837	REEF SANDS DR
10840	REEF SANDS DR
10841	REEF SANDS DR
10844	REEF SANDS DR
10848	REEF SANDS DR
10852	REEF SANDS DR
10856	REEF SANDS DR
10860	REEF SANDS DR
10864	REEF SANDS DR
10868	REEF SANDS DR
10872	REEF SANDS DR

<u>Street Number</u>	<u>Street</u>
10876	REEF SANDS DR
10880	REEF SANDS DR
10881	REEF SANDS DR
10884	REEF SANDS DR
10885	REEF SANDS DR
10888	REEF SANDS DR
10889	REEF SANDS DR
10892	REEF SANDS DR
10893	REEF SANDS DR
10896	REEF SANDS DR
10897	REEF SANDS DR
10900	REEF SANDS DR
10901	REEF SANDS DR
10904	REEF SANDS DR
10908	REEF SANDS DR
10912	REEF SANDS DR
10916	REEF SANDS DR
10920	REEF SANDS DR
10924	REEF SANDS DR
10928	REEF SANDS DR
4812	ROUND ROCK DR
4815	ROUND ROCK DR
4816	ROUND ROCK DR
4820	ROUND ROCK DR
4821	ROUND ROCK DR
4824	ROUND ROCK DR
4828	ROUND ROCK DR
4900	ROUND ROCK DR
4904	ROUND ROCK DR
4905	ROUND ROCK DR
4908	ROUND ROCK DR
4909	ROUND ROCK DR
4913	ROUND ROCK DR
4914	ROUND ROCK DR
4918	ROUND ROCK DR
4921	ROUND ROCK DR
4922	ROUND ROCK DR
4925	ROUND ROCK DR
4926	ROUND ROCK DR
4930	ROUND ROCK DR
4933	ROUND ROCK DR
4934	ROUND ROCK DR
4937	ROUND ROCK DR
4938	ROUND ROCK DR
4941	ROUND ROCK DR
4942	ROUND ROCK DR

<u>Street Number</u>	<u>Street</u>
4945	ROUND ROCK DR
4946	ROUND ROCK DR
4949	ROUND ROCK DR
4950	ROUND ROCK DR
4953	ROUND ROCK DR
4954	ROUND ROCK DR
4957	ROUND ROCK DR
4958	ROUND ROCK DR
4961	ROUND ROCK DR
4962	ROUND ROCK DR
4965	ROUND ROCK DR
4966	ROUND ROCK DR
4970	ROUND ROCK DR
4974	ROUND ROCK DR
4978	ROUND ROCK DR
4982	ROUND ROCK DR
4986	ROUND ROCK DR
4990	ROUND ROCK DR
4994	ROUND ROCK DR
4998	ROUND ROCK DR
5002	ROUND ROCK DR
5006	ROUND ROCK DR
5010	ROUND ROCK DR
5014	ROUND ROCK DR
5018	ROUND ROCK DR
5022	ROUND ROCK DR
5026	ROUND ROCK DR
5030	ROUND ROCK DR
5034	ROUND ROCK DR
5038	ROUND ROCK DR
5042	ROUND ROCK DR
5046	ROUND ROCK DR
5050	ROUND ROCK DR
7931	ROUND ROCK DR
5001	SILVER SANDS DR
5005	SILVER SANDS DR
5008	SILVER SANDS DR
5009	SILVER SANDS DR
5012	SILVER SANDS DR
5013	SILVER SANDS DR
5016	SILVER SANDS DR
5017	SILVER SANDS DR
5020	SILVER SANDS DR
5021	SILVER SANDS DR
5024	SILVER SANDS DR
5025	SILVER SANDS DR

<u>Street Number</u>	<u>Street</u>
5028	SILVER SANDS DR
5029	SILVER SANDS DR
5032	SILVER SANDS DR
5033	SILVER SANDS DR
5036	SILVER SANDS DR
5037	SILVER SANDS DR
5040	SILVER SANDS DR
5041	SILVER SANDS DR
5044	SILVER SANDS DR
5045	SILVER SANDS DR
5048	SILVER SANDS DR
5049	SILVER SANDS DR
5052	SILVER SANDS DR
5053	SILVER SANDS DR
5056	SILVER SANDS DR
5057	SILVER SANDS DR
5060	SILVER SANDS DR
5061	SILVER SANDS DR
5064	SILVER SANDS DR
5065	SILVER SANDS DR
5069	SILVER SANDS DR
5073	SILVER SANDS DR
10700	SUGARLAND DR
10701	SUGARLAND DR
10704	SUGARLAND DR
10708	SUGARLAND DR
10709	SUGARLAND DR
10712	SUGARLAND DR
10713	SUGARLAND DR
10716	SUGARLAND DR
10717	SUGARLAND DR
10720	SUGARLAND DR
10724	SUGARLAND DR
10728	SUGARLAND DR
10731	SUGARLAND DR
10732	SUGARLAND DR
10735	SUGARLAND DR
10736	SUGARLAND DR
10739	SUGARLAND DR
10740	SUGARLAND DR
10743	SUGARLAND DR
10744	SUGARLAND DR
10747	SUGARLAND DR
10748	SUGARLAND DR
10752	SUGARLAND DR
10755	SUGARLAND DR

Street Number	Street
10756	SUGARLAND DR
10759	SUGARLAND DR
10760	SUGARLAND DR
10763	SUGARLAND DR
10764	SUGARLAND DR
10767	SUGARLAND DR
10771	SUGARLAND DR
10775	SUGARLAND DR
10703	WHITE SANDS DR
10705	WHITE SANDS DR
10707	WHITE SANDS DR
10709	WHITE SANDS DR
10711	WHITE SANDS DR
10712	WHITE SANDS DR
10713	WHITE SANDS DR
10714	WHITE SANDS DR
10715	WHITE SANDS DR
10716	WHITE SANDS DR
10717	WHITE SANDS DR
10718	WHITE SANDS DR
10719	WHITE SANDS DR
10721	WHITE SANDS DR
10723	WHITE SANDS DR
10725	WHITE SANDS DR
10726	WHITE SANDS DR
10727	WHITE SANDS DR
10728	WHITE SANDS DR
10729	WHITE SANDS DR
10730	WHITE SANDS DR
10731	WHITE SANDS DR
10732	WHITE SANDS DR
10733	WHITE SANDS DR
10734	WHITE SANDS DR
10735	WHITE SANDS DR
10736	WHITE SANDS DR
10737	WHITE SANDS DR
10738	WHITE SANDS DR
10739	WHITE SANDS DR
10740	WHITE SANDS DR
10742	WHITE SANDS DR
10743	WHITE SANDS DR
10744	WHITE SANDS DR
10745	WHITE SANDS DR
10747	WHITE SANDS DR
10748	WHITE SANDS DR
10749	WHITE SANDS DR

<u>Street Number</u>	<u>Street</u>
10750	WHITE SANDS DR
10751	WHITE SANDS DR
10752	WHITE SANDS DR
10753	WHITE SANDS DR
10754	WHITE SANDS DR
10755	WHITE SANDS DR
10756	WHITE SANDS DR
10757	WHITE SANDS DR
10758	WHITE SANDS DR
10759	WHITE SANDS DR
10761	WHITE SANDS DR
10762	WHITE SANDS DR
10763	WHITE SANDS DR
4988	WILD SANDS CT
4989	WILD SANDS CT
4992	WILD SANDS CT
4993	WILD SANDS CT
4996	WILD SANDS CT
4997	WILD SANDS CT