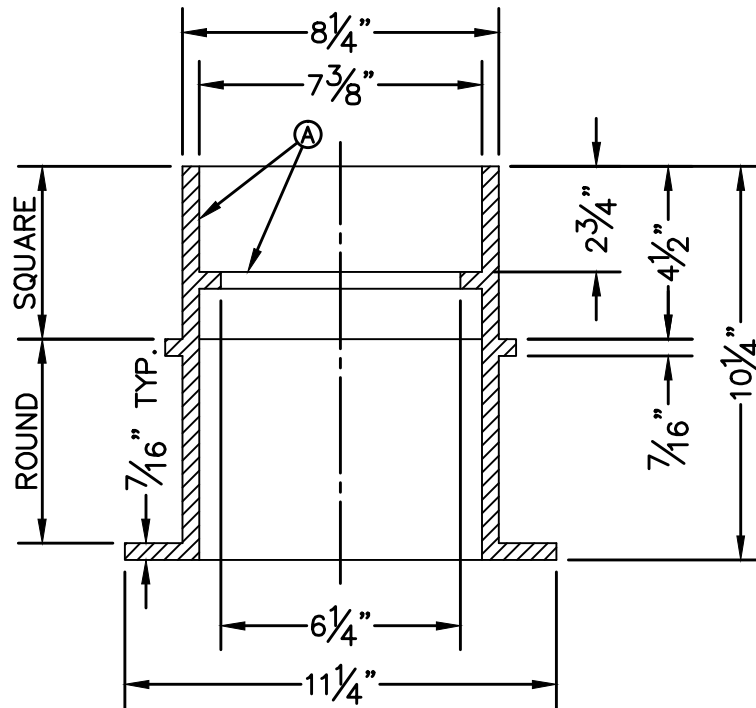


PLAN



SECTION A-A

GENERAL NOTES:

1. THIS VALVE BOX IS DESIGNED TO FIT OVER 6"Ø PIPE, OR ATOP 8"Ø PIPE.
2. CASTING TO BE SMOOTH & VOID OF AIR HOLES.
3. WEIGHT OF BONNET BOX IS 33 LBS.
4. ALL RECLAIMED BONNET BOXES SHALL BE PAINTED PURPLE.

CONSTRUCTION KEY NOTES:

- A. TO BE ROUGH GROUND OF ANY IRREGULARITIES THAT WOULD PREVENT A SNUG FIT.

STANDARD
DETAIL

DATE: 10/27/2004
REV: 3/18/2008

BONNET BOX FOR RECLAIMED
WATER GATE VALVES

N.T.S.



DETAIL No.
400