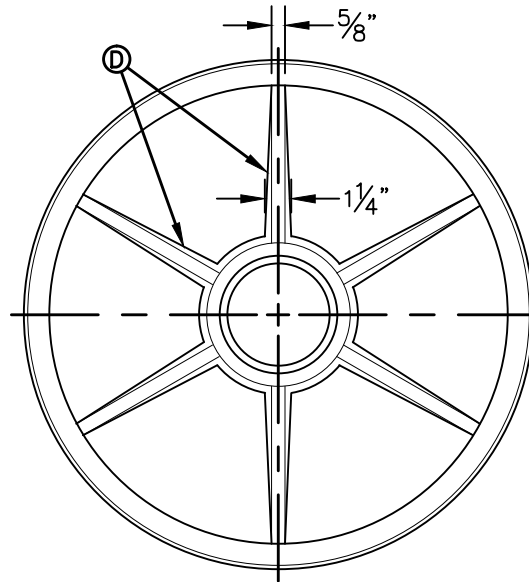
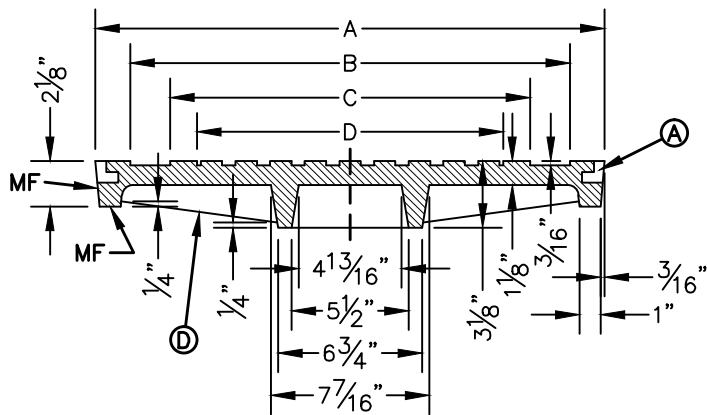


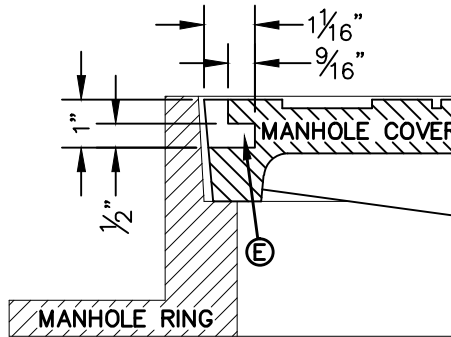
TOP VIEW



BOTTOM VIEW



A-A



LIFTING NOTCH

GENERAL NOTES:

1. MATCHING SURFACES MARKED "MF" TO BE FINISHED OF ANY IRREGULARITIES THAT WOULD PREVENT A SNUG FIT.
2. CASTING TO BE SMOOTH & VOID OF AIR HOLES.
3. CASTING MUST MEET REQUIREMENTS OF AASHTO M306-07.
4. AS-CAST DIMENSIONS MAY VARY $\frac{1}{6}'' \pm$ / PER FOOT (AASHTO M306-07).
5. WEIGHT MAY VARY $5\% \pm$ (AASHTO M306-07).

CONSTRUCTION KEY NOTES:

- A. LIFTING NOTCH.
- B. $\frac{3}{16}''$ RAISED LETTERING.
- C. 1" SQUARES ($\frac{3}{16}''$ TALL) WITH $\frac{5}{8}''$ SPACE BETWEEN.
- D. REINFORCING RIBS.
- E. SLOT.

MANHOLE COVER	MANHOLE - ALL TYPES	*MANHOLE TYPE A, A1, A2 & C
A	31 $\frac{3}{8}''$	23 $\frac{7}{8}''$
B	28 $\frac{1}{8}''$	20 $\frac{5}{8}''$
C	24 $\frac{3}{8}''$	16 $\frac{7}{8}''$
D	21 $\frac{7}{8}''$	14 $\frac{3}{8}''$
WEIGHT	200 lbs.	165 lbs.

***OBSOLETE -DO NOT USE (FOR REFERENCE ONLY)**

STANDARD
DETAIL

DATE: 11/1992
REV: 2/21/2011

SEWER MANHOLE COVER

N.T.S.



DETAIL No.
378