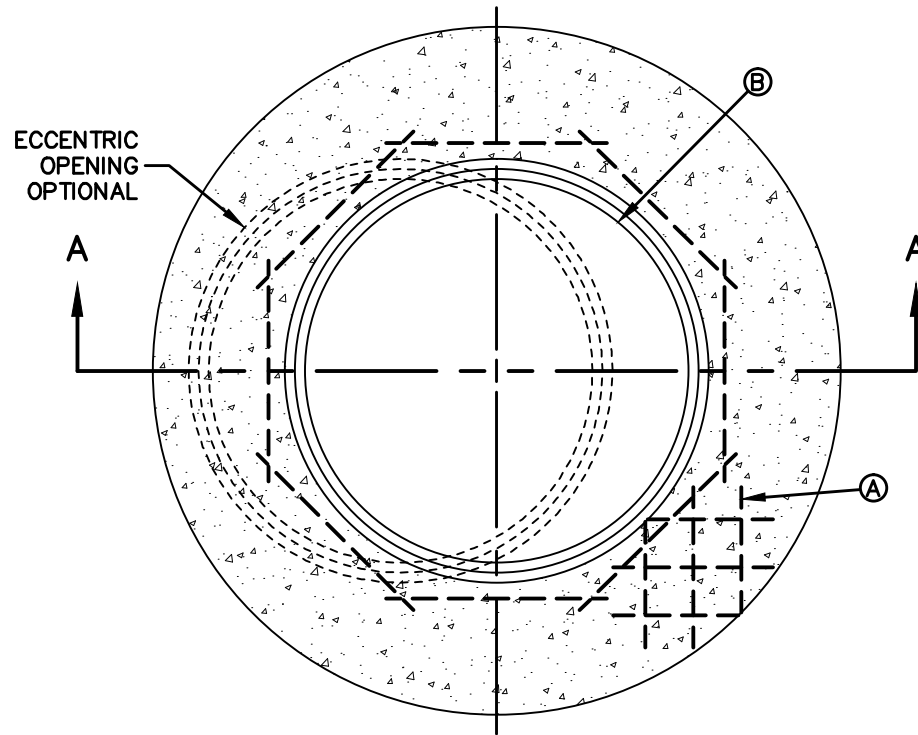


SECTION A-A



MANHOLE LID FOR TYPE "B" & "C"

GENERAL NOTES:

1. FLAT TOP MANHOLE LID WITH KEYED TOP SHALL BE OF REINFORCED CONCRETE CONFORMING TO ASTM C-478. CEMENT SHALL BE TYPE I-II, PER ASTM C-150, AND MUST CONTAIN A MINIMUM OF 4% FLY ASH OF THE TOTAL LID WEIGHT.
2. CONCRETE SHALL BE MIN. 28 DAY COMPRESSIVE STRENGTH 4000psi.
3. MANUFACTURER TO PROVIDE LIFTERS OF ADEQUATE SIZE AS NEEDED.
4. REINFORCING SHALL MEET A.S.T.M. C478-87 AND TRAFFIC LOADING (HS-20).

CONSTRUCTION KEY NOTES:

- A. #5 REBAR 6" O.C./E.W.
- B. 48" OPENING, OPTIONAL PLACEMENT OF OPENING MAY BE CONCENTRIC (BOLD) OR ECCENTRIC (DASHED).

MANHOLE LID	MANHOLE TYPE "B"	MANHOLE TYPE "C"
C	72" I.D.	60" I.D.
D	86" O.D.	72" O.D.

STANDARD
DETAIL

DATE: 9/1/2006
REV: 9/15/2010

MANHOLE ECCENTRIC/CONCENTRIC CONCRETE LID
FOR TYPE "B" & "C" MANHOLES

N.T.S.



DETAIL No.
379-2