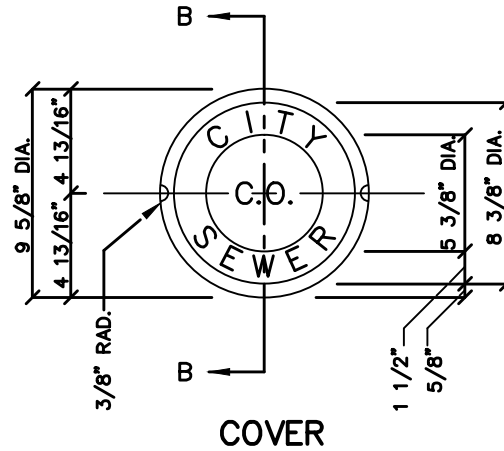


SECTION B-B



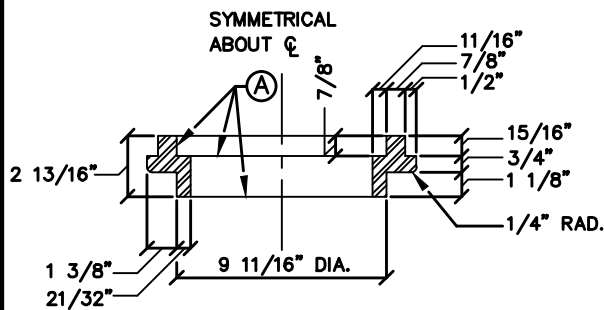
COVER

GENERAL NOTES:

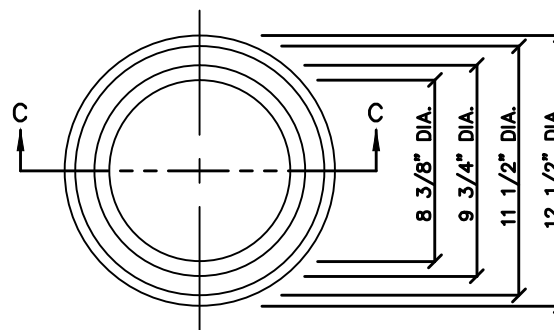
1. CASTINGS TO BE SMOOTH AND VOID OF AIR HOLES.
2. WEIGHT OF BONNET BOX EXTENSION IS 25 POUNDS.
3. WEIGHT OF COVER IS 10 POUNDS.

CONSTRUCTION KEY NOTES:

- A. TO BE ROUGH GROUND OF ANY IRREGULARITIES THAT WOULD PREVENT A SNUG FIT.



SECTION C-C



TOP VIEW

STANDARD
DETAIL

DATE: MAR. 1998
REV:

BONNET BOX COVER AND
EXTENSION FOR CLEANOUT

N.T.S.



DETAIL No.
397