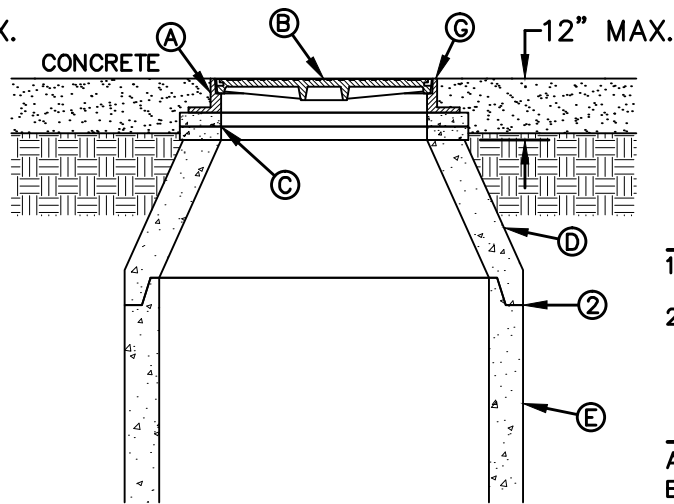
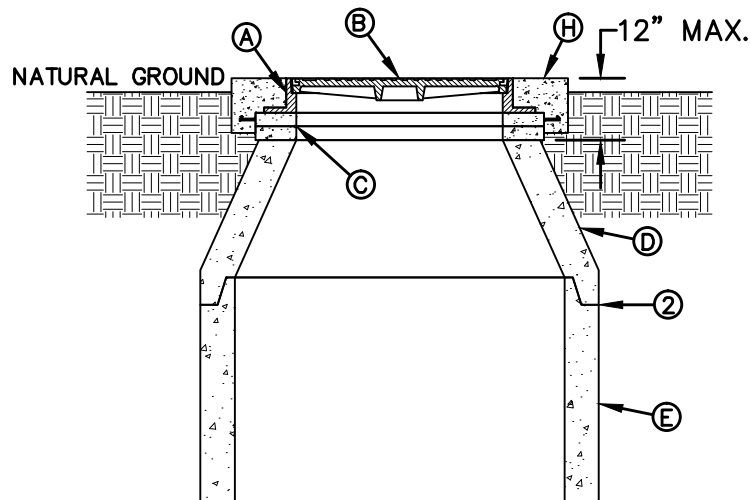


ASPHALT ROADWAY



CONCRETE ROADWAY



UNPAVED AREAS

GENERAL NOTES:

1. MANHOLE TYPE SHALL BE AS SHOWN ON THE PLANS.
2. SEAL JOINTS PER SPECIFICATIONS.

CONSTRUCTION KEY NOTES:

- A. MANHOLE RING (SEE DETAIL 377).
- B. MANHOLE COVER (SEE DETAIL 378).
- C. CONCRETE ADJUSTMENT RINGS AS REQUIRED.
- D. MANHOLE CONE SECTION.
- E. MANHOLE BARREL SECTION.
- F. CONCRETE COLLAR (SEE DETAIL 184-1) FLUSH WITH TOP OF H.M.A.C.
- G. MANHOLE RING FLUSH WITH TOP OF CONCRETE, CONCRETE COLLAR NOT NEEDED.
- H. CONCRETE APRON (SEE DETAIL 184-2) FLUSH WITH MANHOLE RING AND 2" ABOVE NATURAL GROUND.