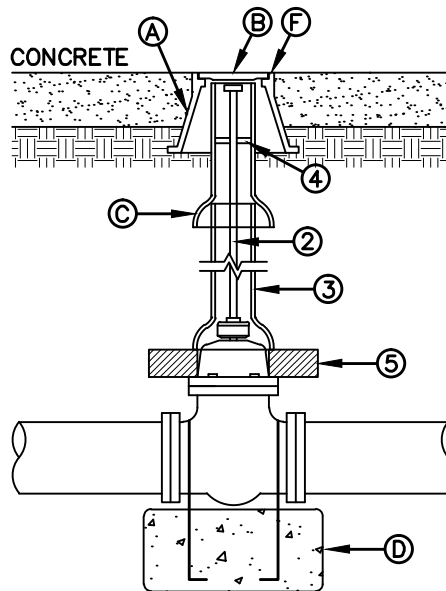
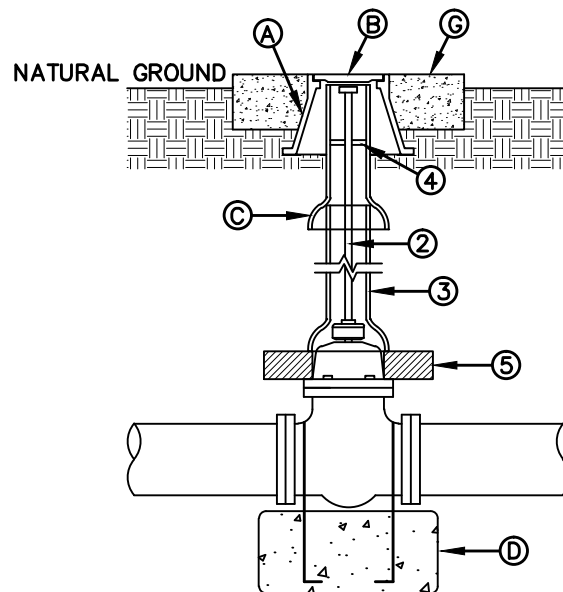


ASPHALT ROADWAY



CONCRETE ROADWAY



UNPAVED AREAS

GENERAL NOTES:

1. VALVE TYPE AND VALVE ENDS SHALL BE AS SHOWN ON THE PLANS.
2. ALL BURIED VALVES 5' AND DEEPER SHALL BE PROVIDED WITH SOLID STEEL EXTENSION STEM OPERATOR WITH 2" SQUARE AWWA NUT WITHIN 36" OF VALVE BOX COVER. NUT IS TO INDICATE DIRECTION OF ROTATION TO OPEN VALVE.
3. 8" DIA. MINIMUM VITRIFIED CLAY OR SDR 35 P.V.C. PIPE, PIPE SHALL NOT REST ON VALVE BODY.
4. 1/4" THICK STEEL TRASH RING VALVE BOX INSIDE DIAMETER MINUS 1/8".
5. MINIMUM 2 1/2" CONCRETE OR BRICK ALL AROUND.
6. CLEAN BONNET BOX OF ALL DEBRIS AND SOIL.
7. COAT BURIED PIPE AND BONNET BOX PER SPECIFICATIONS, VALVE SHALL BE WRAPPED IN POLYETHYLENE IN ACCORDANCE WITH SPECIFICATIONS.

CONSTRUCTION KEY NOTES:

- A. BONNET BOX (SEE DETAIL 268).
- B. BONNET BOX COVER (SEE DETAILS 269-1 & 269-2)
- C. FINAL EXTENSION TO BONNET BOX SHALL BE WITH BELL AND SPIGOT ENDS (CLAY OR SDR 35 P.V.C. SPOOL).
- D. CONCRETE VALVE ANCHOR (SEE DETAIL 271).
- E. CONCRETE COLLAR (SEE DET 184-1) FLUSH WITH TOP OF H.M.A.C.
- F. BONNET BOX FLUSH WITH TOP OF CONCRETE, CONCRETE COLLAR NOT NEEDED.
- G. CONCRETE APRON (SEE DETAIL 184-2) FLUSH WITH BONNET BOX AND 2" ABOVE NATURAL GROUND.

STANDARD
DETAIL

DATE: 5/1994
REV: 6/22/2009

GATE VALVE INSTALLATION

N.T.S.



DETAIL No.
260