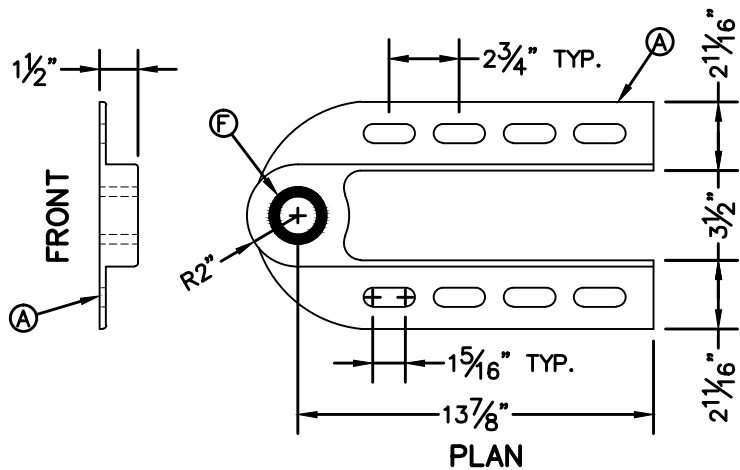
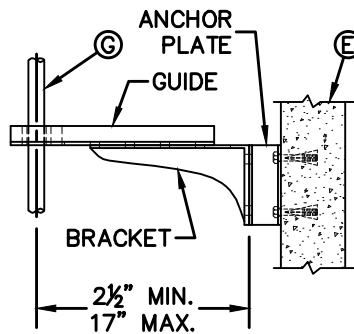


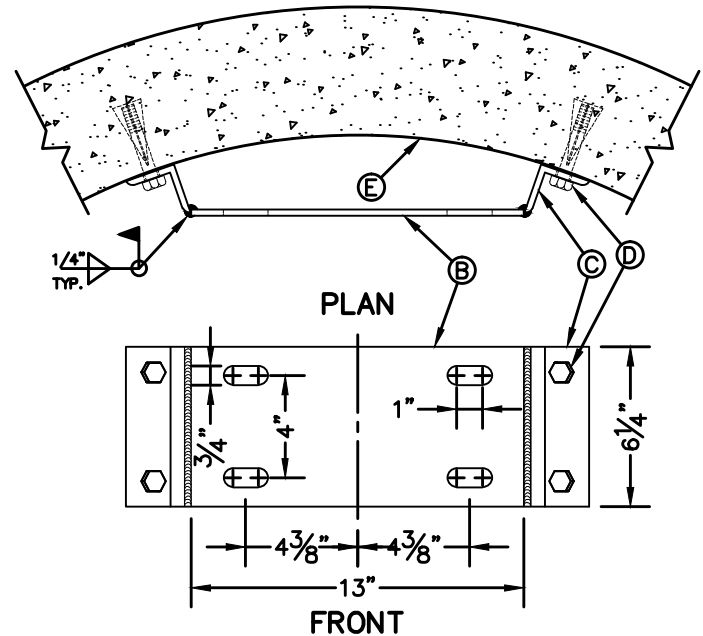
EXTENSION STEM GUIDE BRACKET



EXTENSION STEM GUIDE



COMPLETED ASSEMBLY



**EXTENSION STEM GUIDE
MANHOLE ANCHOR PLATE**

GENERAL NOTES:

1. EXTENSION STEM GUIDE TO BE INSTALLED VERTICALLY ALONG MANHOLE WALL TO SUPPORT EXTENSION STEM.
2. EXTENSION STEM GUIDE TO BE FULLY ADJUSTABLE.
3. INSTALL @ 6' MAX. INTERVALS VERTICAL TO THE INSIDE OF MANHOLE WALL.

CONSTRUCTION KEY NOTES:

- A. DUCTILE IRON 65.45.12 MIN.
- B. 6 1/4" X 13" X 1/4" THK. STL. PLATE.
- C. 2" X 2" X 1/4" ANGLE 6 1/4" LONG TYP.
- D. 1/2" DIA. X 3" EXP. BOLT TYP.
- E. MANHOLE WALL.
- F. BRONZE BUSHING.
- G. 1 1/4" DIA. VALVE EXTENSION STEM.