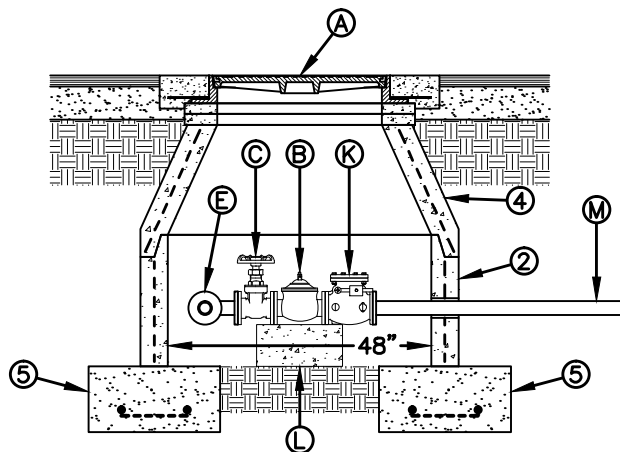


TOP VIEW



SECTION A-A

GENERAL NOTES:

1. INSTALLATION SHOWN FOR A 2" VALVE. INSTALLATION OF OTHER SIZED VALVES IS SIMILAR.
2. PRE-CAST MANHOLE SECTIONS SHALL BE OF REINFORCED CONCRETE CONFORMING TO ASTM C-478 AND SHALL MEET HS-20 LOADING. PROVIDE REINFORCEMENT WITHIN 3" @ OPENINGS OR KNOCKOUTS, OPENINGS (UP TO 8") MADE IN FIELD SHALL BE CORE DRILLED.
3. MANUFACTURER TO PROVIDE LIFTERS OF ADEQUATE SIZE AS NEEDED.
4. CONCENTRIC CONE SECTION REINFORCEMENT IN ACCORDANCE WITH ASTM C-478.
5. 12"x24" FOOTING WITH No.5 REBAR AT 12" ON CENTER EACH WAY IS REQUIRED.
6. DISCHARGE TO AN OPEN ATMOSPHERE INCLUDES BUT IS NOT LIMITED TO STORM DRAINS, CULVERTS, AND PONDING AREAS OR ANY APPROVED STRUCTURE/LOCATION.

CONSTRUCTION KEY NOTES:

- A. MANHOLE RING AND COVER (SEE DETAILS 377 & 378). SET FRAME AND COVER FLUSH WITH ROADWAY SURFACE OR FINISHED GRADE (SEE DETAIL 185).
- B. 2" FLANGED PRESSURE RELIEF VALVE.
- C. 2" FLANGED GATE VALVE WITH HANDWHEEL
- D. 2" FLANGED BRASS SPOOL.
- E. 2" FLANGED BRASS 90° BEND.
- F. 2" COUPLING BRASS.
- G. 2" NIPPLE BRASS.
- H. 2" CORPORATION STOP.
- I. 2" SERVICE SADDLE.
- J. MAINLINE, SIZE AS SPECIFIED.
- K. 2" CHECK VALVE.
- L. VALVES INSTALLED ON NATURAL GROUND WITH CONCRETE SUPPORTS AS REQUIRED.
- M. 2" P.V.C. SCH. 40 DISCHARGE TO ATMOSPHERE (SEE NOTE 6).

STANDARD
DETAIL

DATE: 8/16/2006
REV: 7/20/2009

PRESSURE RELIEF 1" AND 2" VALVE
(DISCHARGE TO ATMOSPHERE)
BENEATH PAVING INSTALLATION

N.T.S.



DETAIL No.
265-3