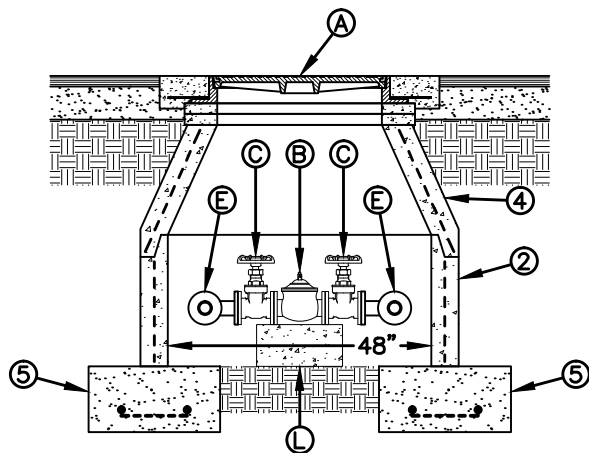


**TOP VIEW**



**SECTION A-A**

**GENERAL NOTES:**

1. INSTALLATION SHOWN FOR A 2" VALVE. INSTALLATION OF OTHER SIZED VALVES IS SIMILAR.
2. PRE-CAST MANHOLE SECTIONS SHALL BE OF REINFORCED CONCRETE CONFORMING TO ASTM C-478 AND SHALL MEET HS-20 LOADING. PROVIDE REINFORCEMENT WITHIN 3" @ OPENINGS OR KNOCKOUTS, OPENINGS (UP TO 8") MADE IN FIELD SHALL BE CORE DRILLED.
3. MANUFACTURER TO PROVIDE LIFTERS OF ADEQUATE SIZE AS NEEDED.
4. CONCENTRIC CONE SECTION REINFORCEMENT IN ACCORDANCE WITH ASTM C-478.
5. 12"x24" FOOTING WITH No.5 REBAR AT 12" ON CENTER EACH WAY IS REQUIRED.

**CONSTRUCTION KEY NOTES:**

- A. MANHOLE RING AND COVER (SEE DETAILS 377 & 378). SET FRAME AND COVER FLUSH WITH ROADWAY SURFACE OR FINISHED GRADE (SEE DETAIL 185).
- B. 2" FLANGED PRESSURE RELIEF VALVE.
- C. 2" FLANGED GATE VALVE WITH HANDWHEEL
- D. 2" FLANGED BRASS SPOOL.
- E. 2" FLANGED BRASS 90° BEND.
- F. 2" COUPLING BRASS.
- G. 2" NIPPLE BRASS.
- H. 2" CORPORATION STOP.
- I. 2" SERVICE SADDLE.
- J. MAINLINE, SIZE AS SPECIFIED.
- K. GATE VALVE (NORMALLY CLOSED) AND BONNET BOX, SIZE AS SPECIFIED.
- L. VALVES INSTALLED ON NATURAL GROUND WITH CONCRETE SUPPORTS AS REQUIRED.

STANDARD  
DETAIL

DATE: 8/16/2006  
REV: 7/20/2009

PRESSURE RELIEF 1" AND 2" VALVE  
(BACK DISCHARGE TO LOW SIDE)  
BENEATH PAVING INSTALLATION

N.T.S.



DETAIL No.  
265-4