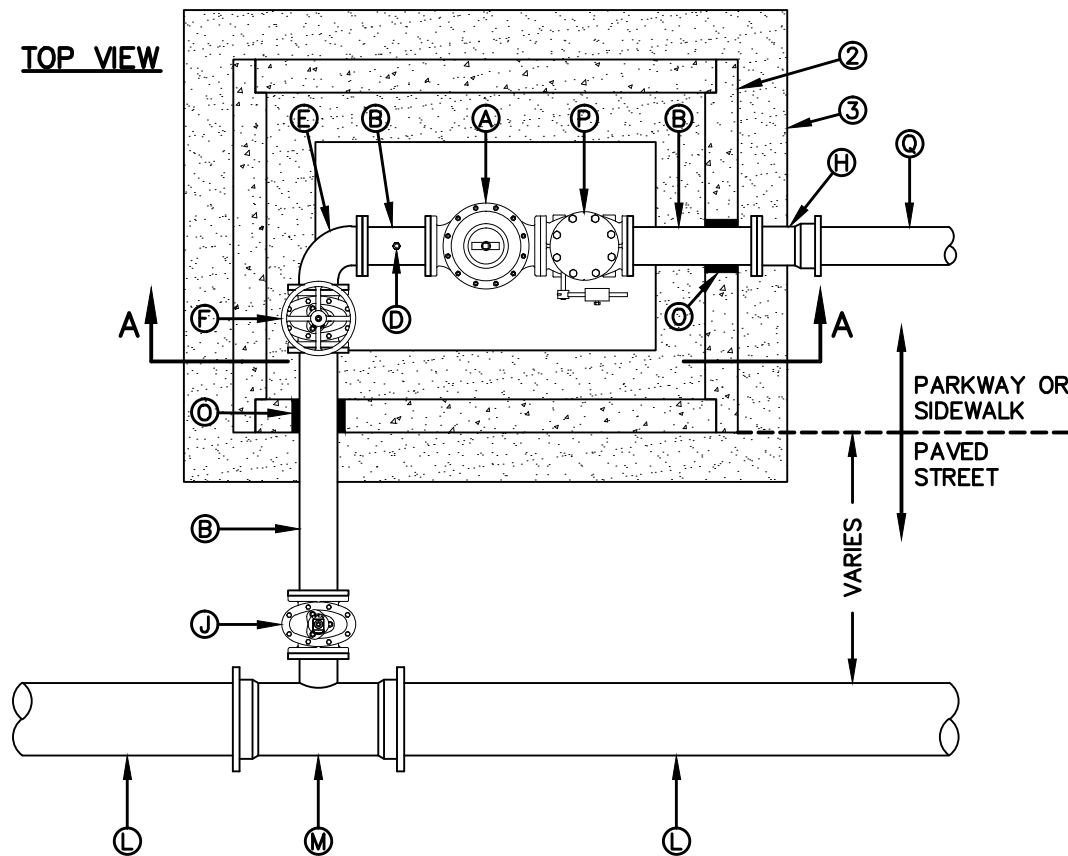
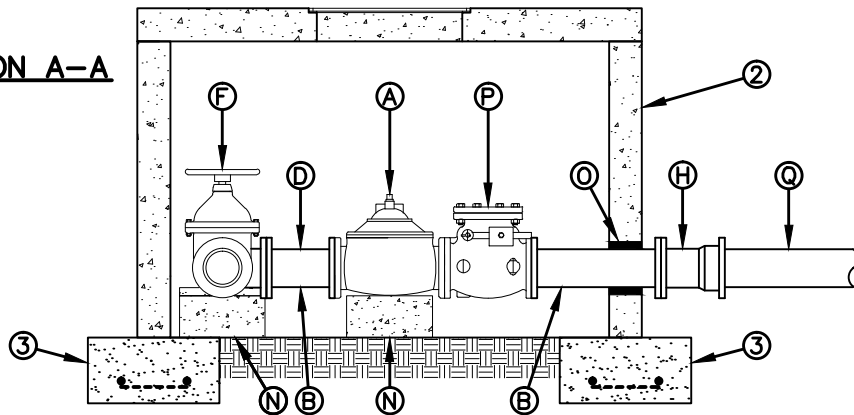


TOP VIEW



SECTION A-A



GENERAL NOTES:

1. INSTALLATION SHOWN FOR A 6" VALVE. INSTALLATION OF OTHER SIZED VALVES IS SIMILAR.
2. VALVE VAULT SHALL BE TYPE "E", SEE DETAIL 295-1. FOR PRESSURE RELIEF VALVES LARGER THAN 6", VAULT SIZE SHALL BE INCREASED TO ACCOMMODATE LARGER APPURTENANCES. LARGER VAULT DIMENSIONS MUST BE APPROVED BY THE EPWU.
3. 12"x24" FOOTING WITH No.5 REBAR AT 12" ON CENTER EACH WAY IS REQUIRED.
4. TEST OUTLET TO BE PLACED BEFORE PRESSURE RELIEF. SEE DETAIL 264-5 FOR TEST OUTLET DETAIL.
5. DISCHARGE TO AN OPEN ATMOSPHERE INCLUDES BUT IS NOT LIMITED TO STORM DRAINS, CULVERTS, AND PONDING AREAS OR ANY APPROVED STRUCTURE/LOCATION.

CONSTRUCTION KEY NOTES:

- A. 6" FLANGED PRESSURE RELIEF VALVE.
- B. 6" FLANGED DUCTILE IRON SPOOL.
- D. 3/4" TEST OUTLET WITH CORPORATION STOP
- E. 6" FLANGED 90° BEND.
- F. 6" FLANGED GATE VALVE WITH HANDWHEEL
- H. 6" FLANGED TO MECHANICAL JOINT ADAPTER
- J. 6" GATE VALVE WITH VALVE BONNET BOX AND COVER.
- L. MAINLINE, SIZE AS SPECIFIED.
- M. MECHANICAL JOINT TEE WITH A 6" FLANGED BRANCH, MAINLINE SIZE AS SPECIFIED.
- N. VALVES INSTALLED ON NATURAL GROUND WITH CONCRETE SUPPORTS AS REQUIRED.
- O. WALL SLEEVES AND/OR GROUT.
- P. 6" CHECK VALVE.
- Q. 6" P.V.C. DISCHARGE TO ATMOSPHERE (SEE NOTE 5).

STANDARD
DETAIL

DATE: 11/13/2006
REV: 7/20/2009

PRESSURE RELIEF 3" AND LARGER VALVE
(DISCHARGE TO ATMOSPHERE)
BEHIND CURB INSTALLATION

N.T.S.



DETAIL No.
265-5