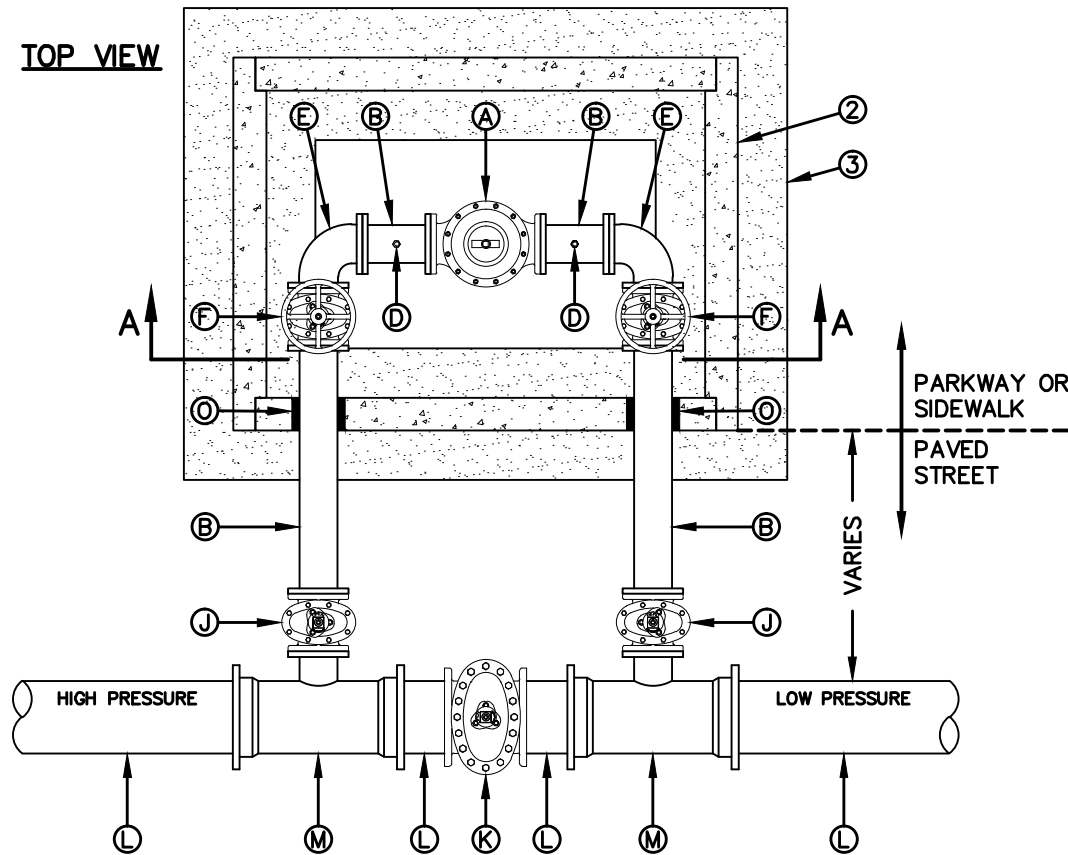
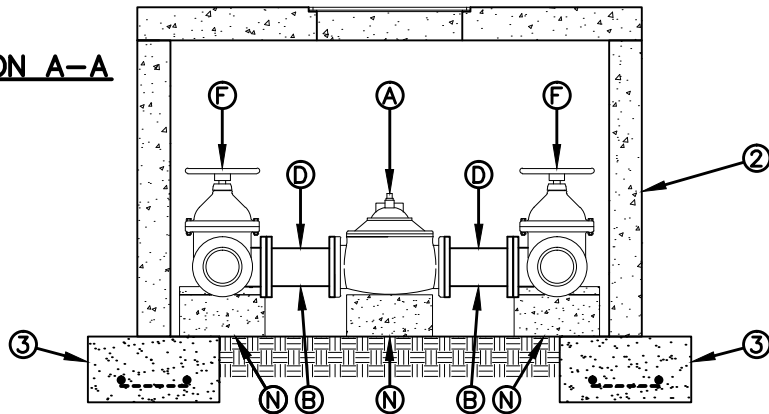


TOP VIEW



SECTION A-A



GENERAL NOTES:

1. INSTALLATION SHOWN FOR A 6" VALVE. INSTALLATION OF OTHER SIZED VALVES IS SIMILAR.
2. VALVE VAULT SHALL BE TYPE "E", SEE DETAIL 295-1. FOR PRESSURE RELIEF VALVES LARGER THAN 6", VAULT SIZE SHALL BE INCREASED TO ACCOMMODATE LARGER APPURTENANCES. LARGER VAULT DIMENSIONS MUST BE APPROVED BY THE EPWU.
3. 12"x24" FOOTING WITH No.5 REBAR AT 12" ON CENTER EACH WAY IS REQUIRED.
4. TEST OUTLETS TO BE PLACED BEFORE AND AFTER PRESSURE RELIEF. SEE DETAIL 264-5 FOR TEST OUTLET DETAIL.

CONSTRUCTION KEY NOTES:

- A. 6" FLANGED PRESSURE RELIEF VALVE.
- B. 6" FLANGED DUCTILE IRON SPOOL.
- D. 3/4" TEST OUTLET WITH CORPORATION STOP
- E. 6" FLANGED 90° BEND.
- F. 6" FLANGED GATE VALVE WITH HANDWHEEL
- J. 6" GATE VALVE WITH VALVE BONNET BOX AND COVER.
- K. GATE VALVE (NORMALLY CLOSED) AND BONNET BOX, SIZE AS SPECIFIED.
- L. MAINLINE, SIZE AS SPECIFIED.
- M. MECHANICAL JOINT TEE WITH A 6" FLANGED BRANCH, MAINLINE SIZE AS SPECIFIED.
- N. VALVES INSTALLED ON NATURAL GROUND WITH CONCRETE SUPPORTS AS REQUIRED.
- O. WALL SLEEVES AND/OR GROUT.

STANDARD
DETAIL

DATE: 11/13/2006
REV: 7/20/2009

PRESSURE RELIEF 3" AND LARGER VALVE
(BACK DISCHARGE TO LOW SIDE)
BEHIND CURB INSTALLATION

N.T.S.



DETAIL No.
265-6