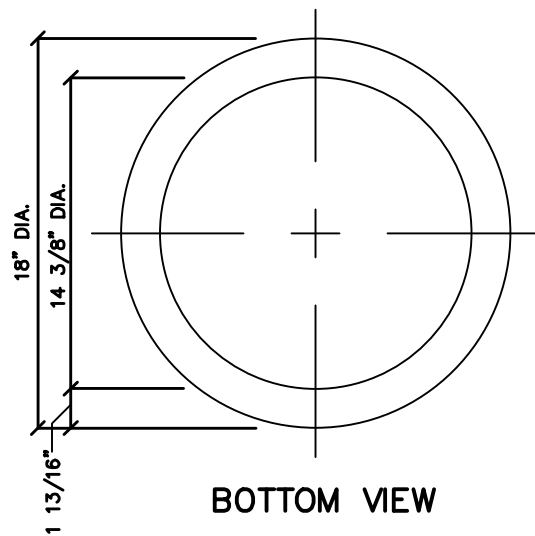
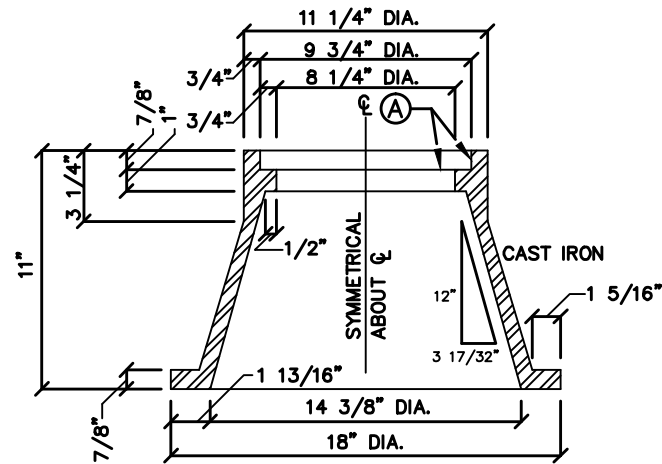


TOP VIEW



BOTTOM VIEW



SECTION A-A

GENERAL NOTES:

1. CASTING TO BE SMOOTH AND VOID OF AIR HOLES.
2. WEIGHT OF BONNET BOX IS 95 POUNDS.

CONSTRUCTION KEY NOTES:

- A. TO BE ROUGH GROUND OF ANY IRREGULARITIES THAT WOULD PREVENT A SNUG FIT.

STANDARD
DETAIL

DATE: 2/1994
REV:

BONNET BOX

N.T.S.



DETAIL No.
268