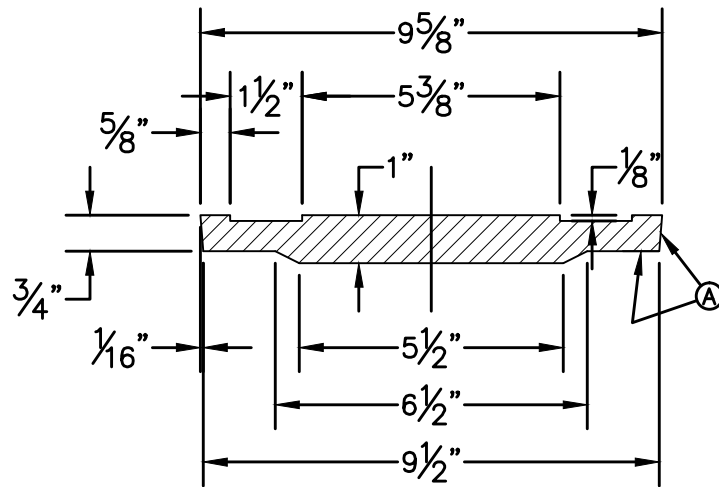


GENERAL NOTES:

1. CASTINGS TO SMOOTH AND VOID OF AIR HOLES.
2. WEIGHT OF COVER IS 10 POUNDS.

CONSTRUCTION KEY NOTES:

- A. TO BE ROUGH GROUND OF ANY IRREGULARITIES THAT WOULD PREVENT A SNUG FIT.



SECTION A-A

STANDARD
DETAIL

DATE: 2/1994
REV: 11/1/2007

BONNET BOX COVER

N.T.S.



DETAIL No.
269-1