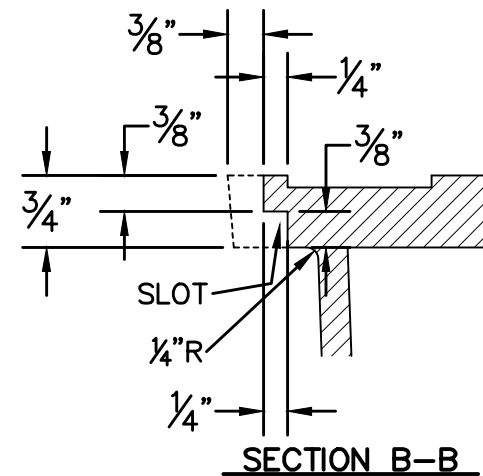
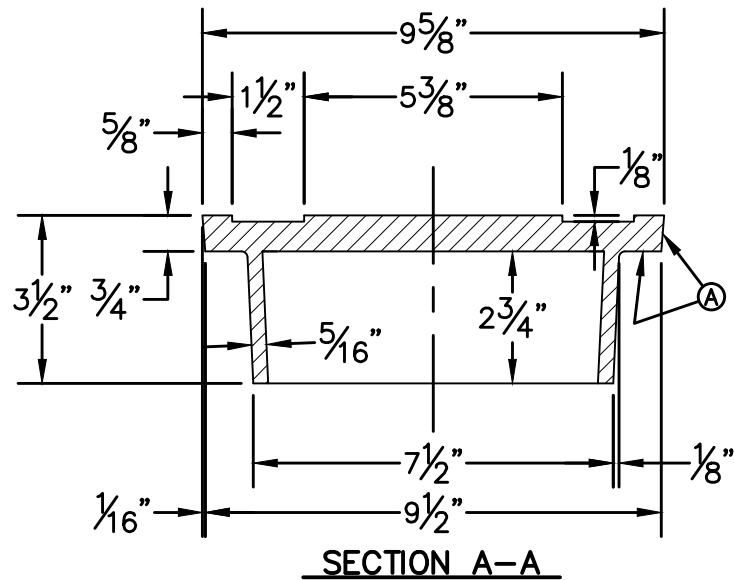


GENERAL NOTES:

1. CASTINGS TO SMOOTH AND VOID OF AIR HOLES.
2. WEIGHT OF COVER IS 18 POUNDS.

CONSTRUCTION KEY NOTES:

- A. TO BE ROUGH GROUND OF ANY IRREGULARITIES THAT WOULD PREVENT A SNUG FIT.



STANDARD
DETAIL

DATE: 2/16/2006
REV: 12/14/2007

BONNET BOX COVER
(FLIP RESISTANT)

N.T.S.



DETAIL No.
269-2