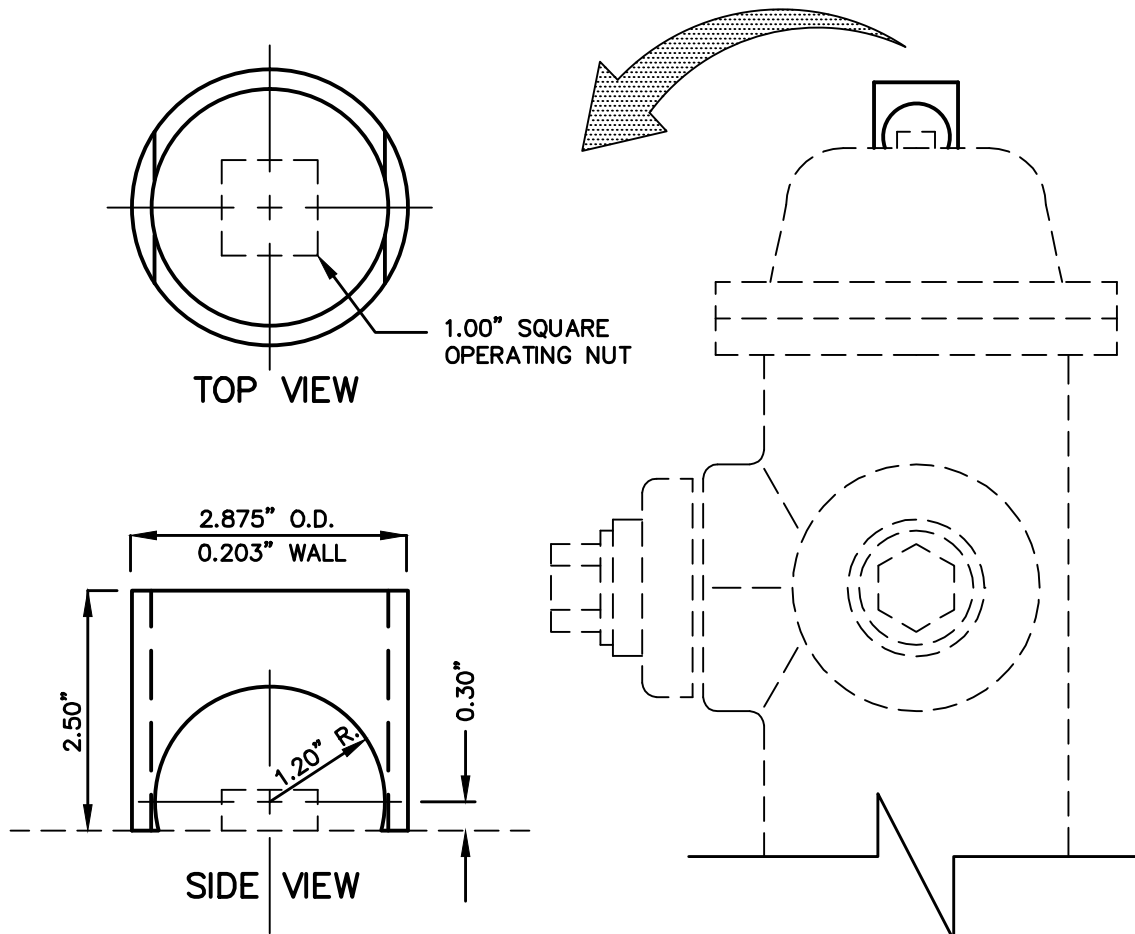


GENERAL NOTES:

1. STEEL CAPS TO BE MACHINED FROM STEEL PIPE:  
NOMINAL SIZE = 2 1/2" DIA.  
OUTSIDE DIA. = 2.875"  
WALL THICKNESS = 0.203  
LBS/FT. = 5.79
2. CAPS ARE TO BE TACK WELDED OR BRAZED ON  
FIRE HYDRANT BONNET OR WEATHER CAP.
3. THE CAPS OVER THE OPERATING NUT WILL PREVENT  
ACCESS TO THE UNAUTHORIZED USE OF HYDRANT  
WATER.



STANDARD  
DETAIL

FEB. 1993  
REV: FEB. 1994

FIRE HYDRANT CAP

N.T.S.



DETAIL No.  
281