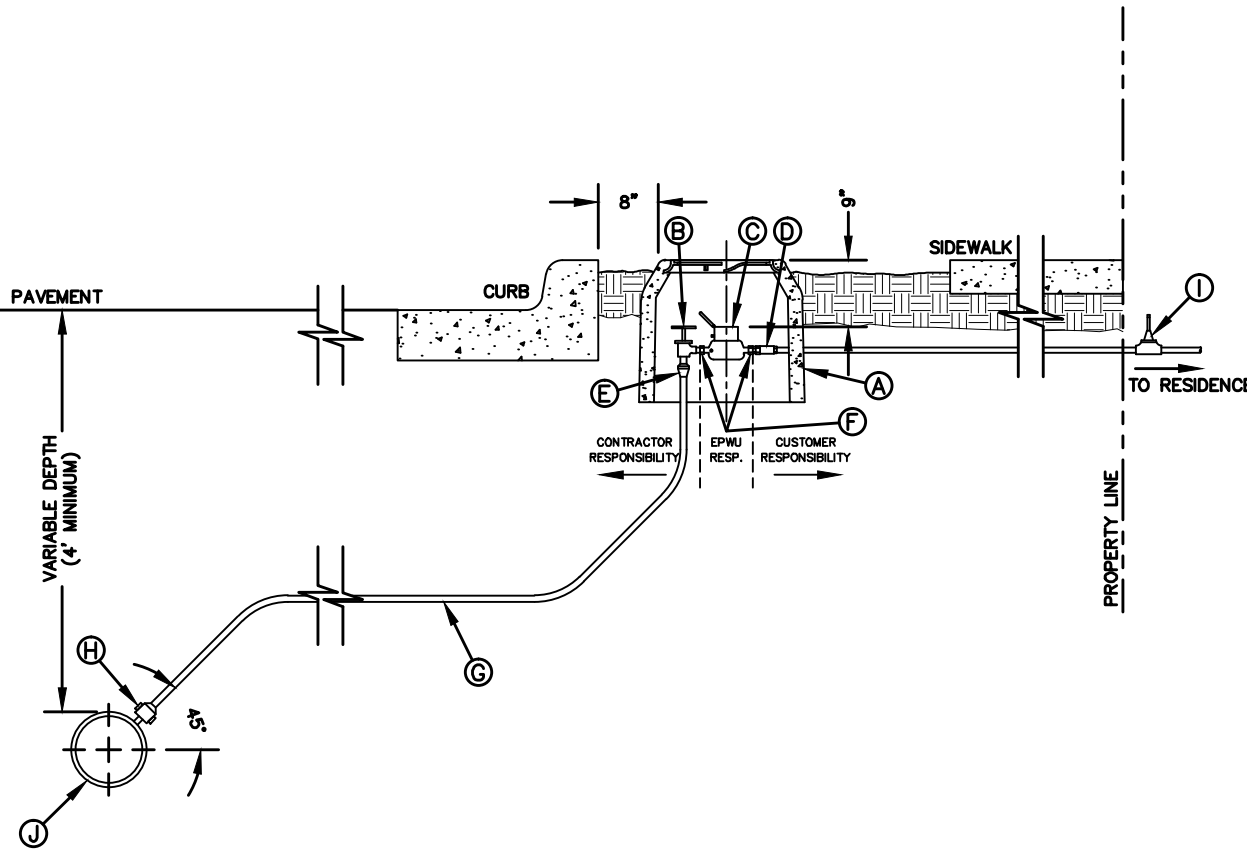


GENERAL NOTES:

1. DETAIL SHOWN FOR A 3/4" SERVICE, 1" SERVICE INSTALLATION IS SIMILAR EXCEPT FOR SIZES OF PIPE, FITTING, METER AND BOX (TYPE "B").
2. WHERE NO CURB EXISTS, METER IS TO BE SET NEAR PROPERTY LINE OR AT DESIGNATED LOCATION.
3. THE CONTRACTOR SHALL FURNISH AND INSTALL ALL NECESSARY PIPE, FITTINGS, AND METER BOXES REQUIRED. IT SHALL BE THE RESPONSIBILITY OF THE PRIVATE OWNER TO HAVE A CERTIFIED PLUMBER INSTALL A BACKFLOW PREVENTER AND EXTEND SERVICE LINE ON DISCHARGE SIDE OF METER.
4. NO SPlicing SHALL BE ALLOWED. FULL LENGTH OF PIPING SERVICE SHALL BE INSTALLED.
5. THE EPWU WILL FURNISH AND INSTALL THE METER.

CONSTRUCTION KEY NOTES:

- A. METER BOX TYPE "A" (SEE DETAILS 291 & 292) SHALL BE SET SLIGHTLY HIGHER THAN SURROUNDING GROUND OR AT CURB LEVEL.
- B. 3/4" ANGLE SERVICE VALVE.
- C. WATER METER (CENTER INSIDE METER BOX).
- D. WHEN REQUIRED BY EPWU, A DUAL CHECK BACKFLOW PREVENTER SHALL BE INSTALLED ON THE OUTLET SIDE OF THE METER.
- E. END FLARE OF SERVICE LINE.
- F. INLET AND OUTLET COUPLING.
- G. 3/4" COPPER SERVICE LINE (SEE NOTE 4).
- H. 5/8" X 3/4" CORPORATION STOP
- I. PRESSURE REGULATOR SOMETIMES LOCATED NEAR THE RESIDENCE.
- J. WATER MAIN



STANDARD
DETAIL

DATE: 10/20/2000
REV: 5/24/2007

SERVICE LINE 3/4" AND 1"
INSTALLATION BY CONTRACTOR

N.T.S.



DETAIL No.
290-4