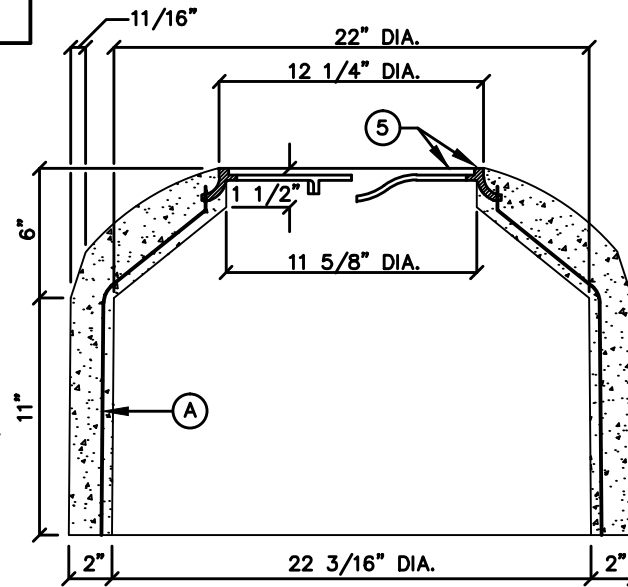
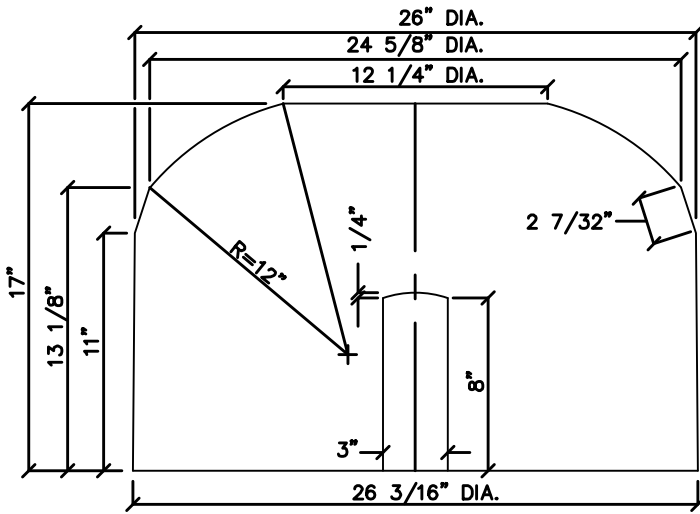


TOP VIEW



SECTION A-A



SIDE VIEW

**GENERAL NOTES:**

1. INSTALL TO GRADE MATCHING TOP OF CURB.
2. ANGLE VALVE SHALL BE IN LINE WITH THE INLET/OUTLET PORTS OF THE METER BOX.
3. METER BOXES SHALL NOT BE INSTALLED UNDER SIDEWALKS, DRIVEWAYS, OR PROPOSED ABOVE GROUND STRUCTURES.
4. WHERE NO CURBING EXIST, INSTALL BOXES IN ACCESSIBLE LOCATIONS BEYOND LIMITS OF STREET SURFACING, WALKS AND DRIVEWAYS.
5. METER BOX RING AND COVER PER EPWU DETAILS 300 AND 301.
6. WHERE IT IS NECESSARY TO INSTALL A TYPE "B" BOX FOR 1" METER UNDER ROADWAYS OF TRAFFIC BEARING SURFACES, BOX SHALL BE ENCASED IN 12" CONCRETE, 3000 PSI. MINIMUM.
7. METER BOX SHALL BE SINGLE UNIT CONSTRUCTION; CONCRETE TO HAVE A MINIMUM 28 DAYS COMPRESSIVE STRENGTH OF 4000 PSI.

**CONSTRUCTION KEY NOTES:**

- A. 3/16", 9 GAUGE BLACK ANNEALED WIRE
- B. LUG-STOP
- C. CAST IRON RING

STANDARD  
DETAIL

DATE: 4/1994  
REV: 8/24/2006

METER BOX TYPE "B" FOR  
1" SERVICE INSTALLATION

N.T.S.



DETAIL No.  
292