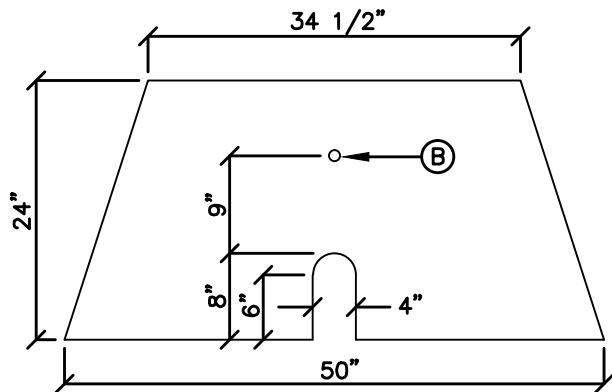
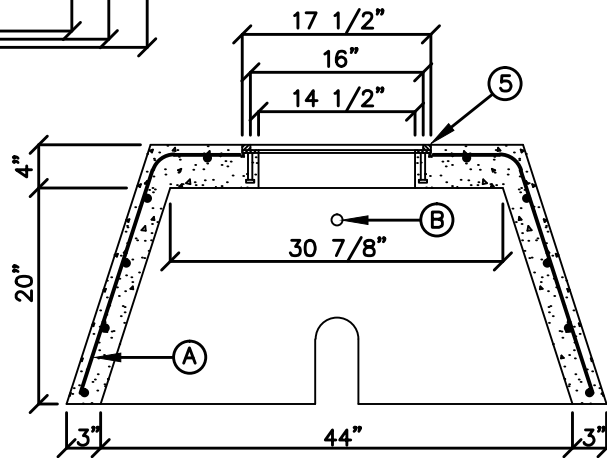


TOP VIEW



FRONT VIEW



SECTION A-A

GENERAL NOTES:

1. INSTALL TO GRADE MATCHING TOP OF CURB.
2. ANGLE VALVE SHALL BE IN LINE WITH THE INLET/OUTLET PORTS OF THE METER BOX.
3. METER BOXES SHALL NOT BE INSTALLED UNDER SIDEWALKS, DRIVEWAYS, OR PROPOSED ABOVE GROUND STRUCTURES.
4. WHERE NO CURBING EXIST, INSTALL BOXES IN ACCESSIBLE LOCATIONS BEYOND LIMITS OF STREET SURFACING, WALKS AND DRIVEWAYS.
5. METER BOX FRAME AND COVER PER EPWU DETAIL 302.
6. METER BOX SHALL BE SINGLE UNIT CONSTRUCTION; CONCRETE TO HAVE A MINIMUM 28 DAYS COMPRESSIVE STRENGTH OF 4000 PSI.

CONSTRUCTION KEY NOTES:

- A. No. 4 REBAR AT 6" ON CENTER, EACH WAY
- B. 1" DIAMETER HOLE

STANDARD
DETAIL

DATE: 4/1994
REV: 3/26/2007

METER BOX TYPE "D" FOR
2" SERVICE INSTALLATION

N.T.S.



DETAIL No.
294